

Interface Connectors

USB3.1 Micro-B Connector

■ Features

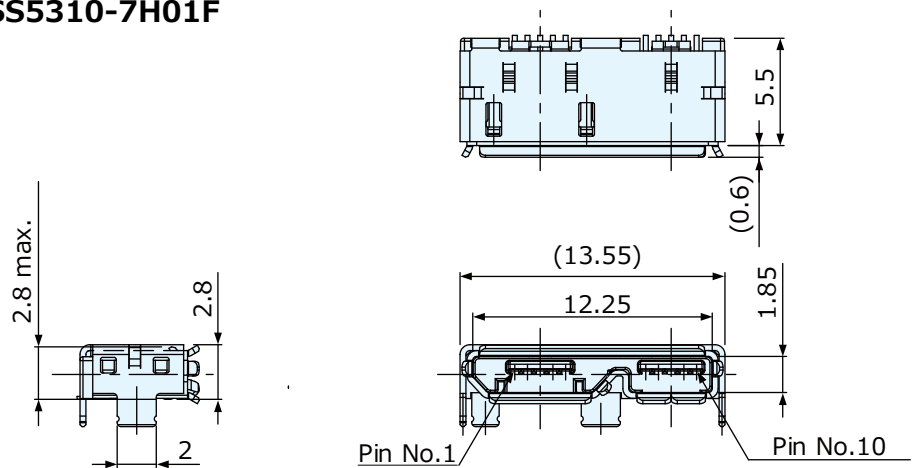
1. Conforms to the USB 3.1 standard.
2. The product is USB3.1 Micro-B-type receptacle. Mounting design of the shell to the PCB is DIP(Reflow) type.
3. The product employs a double-shielded structure to strengthen twisting force resistance and improve mounting strength.
4. The product can be automatically mounted by embossed taping.

■ Specifications

- Number of Pins : 10
- Mounting Method : Contact:SMT, Shell:DIP(Reflow)
- Rating : 3A(Power : USB-PD), 0.25A(Signal), 30V AC
- Contact Resistance : 30mΩ max.(Power), 50mΩ max.(All other contacts)
- Insulation Resistance : 100MΩ min. at 500V DC
- Withstanding Voltage : 100V AC (for one minute)
- Operating Life : 10000 cycles



CSS5310-7H01F



Normal·On Board