

# RF Coaxial Connectors

## RF Coaxial Connectors with Switch (4GHz) : TS-9B Series

### ■ Features

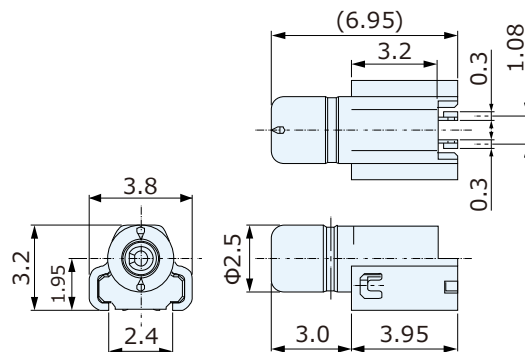
1. Coaxial connector with switch, that can be connected to an external circuit.
2. The operating frequency ranges extensively from DC to 4GHz with good RF performance.
3. Receptacles are available on-board type and mid-mount type.  
 On Board Type : CRS5001-5701F  
 Mid Mount Type : CRS5001-5001F, CRS5001-6701F (Through Hole Type)
4. The compatible plug is our TS-9P series.
5. Mating of the plug and receptacle is a half-locking structure with positive click feeling.
6. Embossed taping for automatic mounter.

### ■ Specifications

- Frequency Impedance : DC to 4GH
- Nominal Impedance : 50Ω
- V.S.W.R. : 1.3 max. (DC to 1GHz), 1.4 max. (1 to 3GHz)  
 (Normal close) 1.5 max. (3 to 4GHz) [CRS5001-5001F, CRS5001-6701F]  
 1.6 max. (3 to 4GHz) [CRS5001-5701F]
- Insertion Loss : 0.2dB max. (DC to 1GHz), 0.3dB max. (1 to 3GHz)  
 (Normal close) 0.5dB max. (3 to 4GHz) [CRS5001-5001F, CRS5001-6701F]  
 0.6dB max. (3 to 4GHz) [CRS5001-5701F]
- Mounting Height : 3.2mm [CRS5001-5701F], 1.5mm [CRS5001-5001F, CRS5001-6701F]
- Mounting Direction : Right-angle
- Rating : 100V, AC/DC
- Operating Temperature Range : -25°C to +85°C
- Operating Life : 5000 cycles



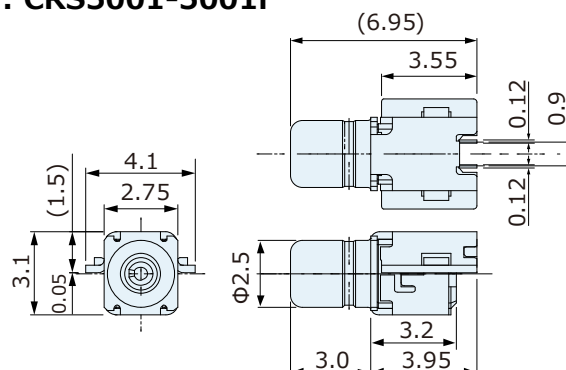
**Receptacle : CRS5001-5701F**



**On Board Type**



**Receptacle : CRS5001-5001F**



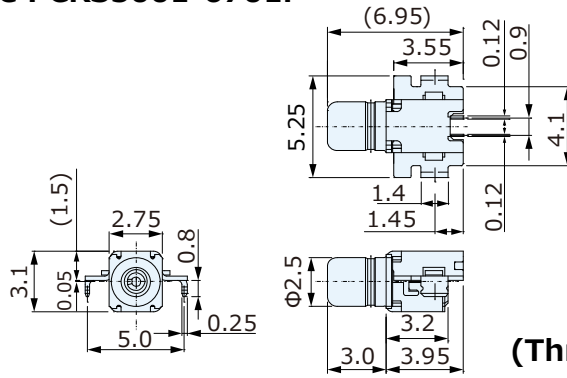
**Mid Mount Type**

# RF Coaxial Connectors

## RF Coaxial Connectors with Switch (4GHz) : TS-9B Series



Receptacle : CRS5001-6701F



**Mid Mount Type  
(Through Hole Type)**