

Multi-Functional Devices

Small Multi-Way Switches : JXSIV Series

■ Features

1. A multi-functional switch capable of function selection in 4 directions and entry of the selected function.
2. The smallest design (less than 30% of our previous equivalent product).
3. With a center push function.
4. Sharp click feedback is ensured by the metal contact structure employed.

■ Specifications

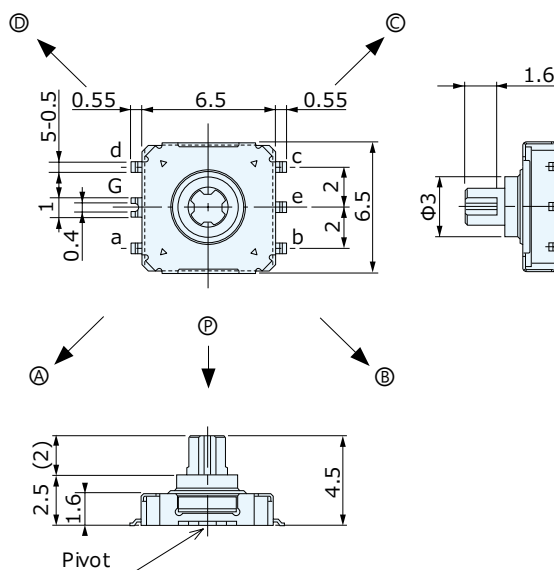
- External Dimension : 6.5 x 6.5 x 4.5mm
- Rating : DC 5V, 10mA
- Circuit : SP4T (Tilt), SPST (Push)
- Life Cycle : 100,000 cycles
- Operating Force : 2.5N/1.2N (Tilt)
- Travel : Tilt angle : 4°, Push Direction : 0.15mm
- Packing Quantity : 1,500pcs/Reel

■ Product Lineup

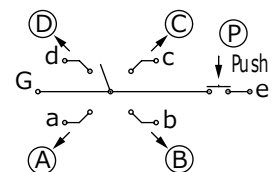
Part No.
JXS0000-1811F



Outline Drawing



Circuit



P. C. Board Dimension

