

# Mini Jacks

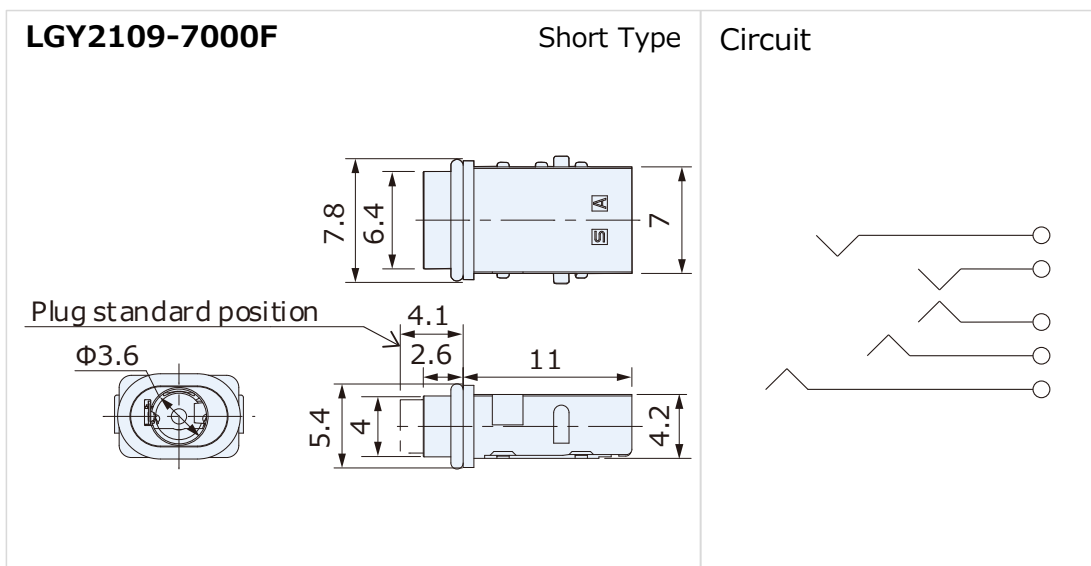
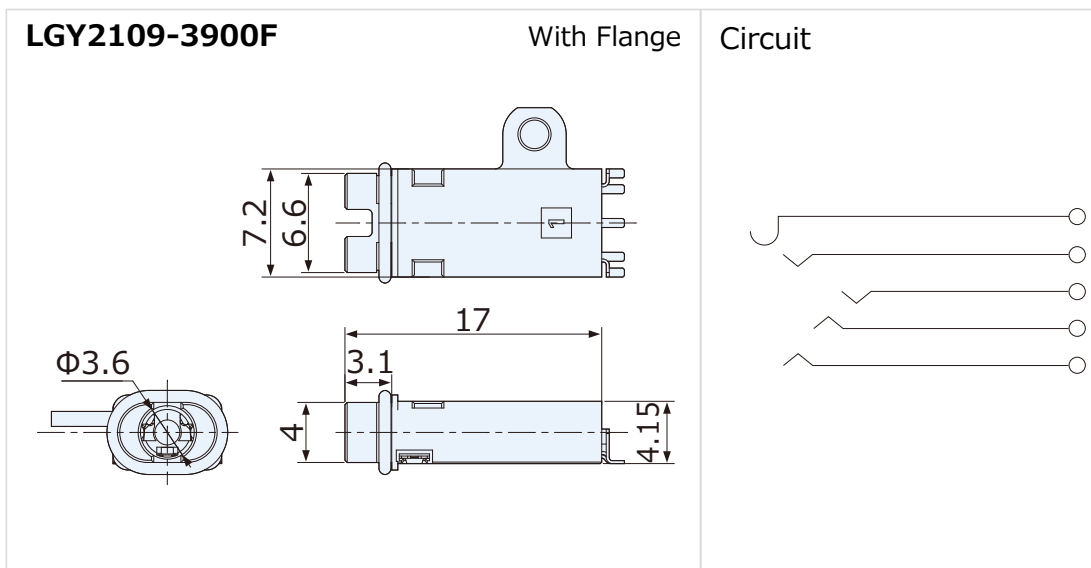
## 3.5mm Dia. Jack (Waterproof Type) : JK-35WP Series

### ■ Features

1. Equipped with IPX7 waterproof performance due to its unique structure.
2. Uses an SMT type connector for mounting and can also be mounted on FPC, etc.
3. Includes a 4-pole 1-switch function. Can connect to another signal in addition to L/R sound and GND (ground).
4. More compact and has a lower profile due to its unique structure.
5. Uses a plug-mediated sleeve make-switch system for plug detection, improving contact reliability due to a self-cleaning effect.

### ■ Specifications

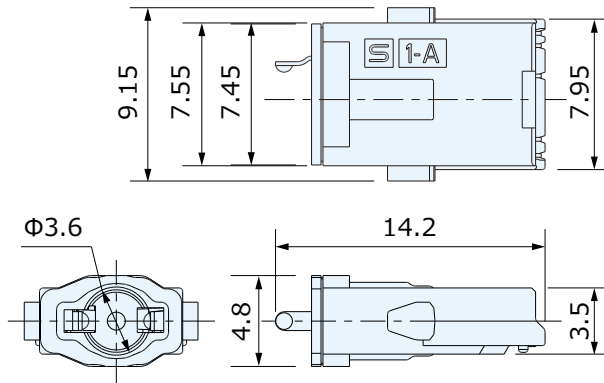
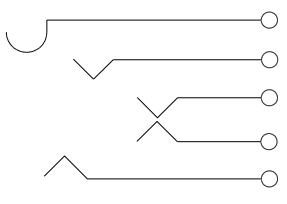
- Applicable Plug Diameter :  $\Phi 3.5\text{mm}$
- Number of Poles : 4
- Mounting Method : SMD
- Rating : 5V DC, 0.5A (LGY2109-3900F, LGY2109-7000F)  
: 12V DC, 1.0A (LGY1309-0200F)
- Contact Resistance : 50m $\Omega$  max.
- Insulation Resistance : 100M $\Omega$  min. at 500V DC (LGY2109-3900F, LGY2109-7000F)  
: 1000M $\Omega$  min. at 500V DC (LGY1309-0200F)
- Withstanding Voltage : 100V AC (for one minute)
- Operating Temperature Range : -40°C to +85°C



# Mini Jacks

## 3.5mm Dia. Jack (Waterproof Type) : JK-35WP Series



<p><b>LGY1309-0200F</b> Short Type</p>  <p>The cover cap will be attached for protecting terminal when delivered.</p>	<p>Circuit</p> 
---	--