

# Board to Board (FPC) Connectors

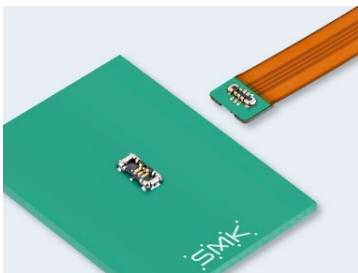
## Board to FPC Connectors: FB-1E Series

### ■ Features

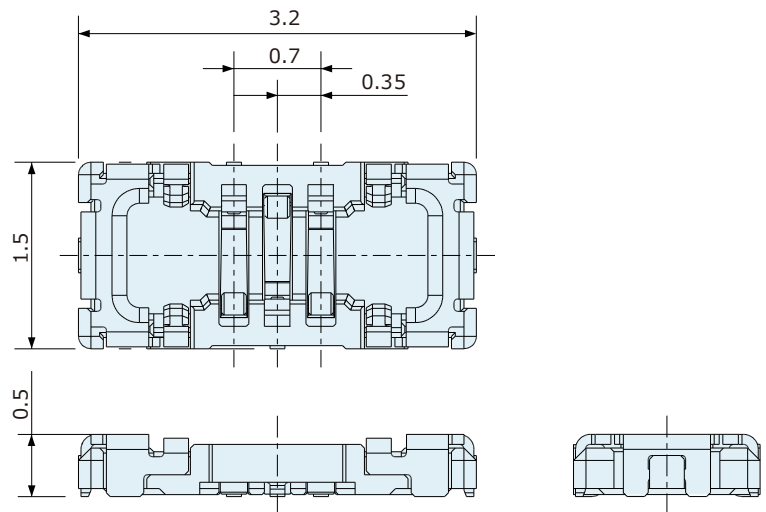
1. Large current connector for battery.
2. Highly reliable and stable connection using SMK's unique contact structure.
3. High retention force by SMK's unique locking mechanism on the contact terminal and hold-down.
4. Power terminal supports 3A current (when using 2pins for power).
5. Multiple pin count with 5pins satisfies the need of multifunctional battery (Power : 2Pin, Signal : 3Pin).
6. Low profile and space-saving design with 0.5mm mating height, 1.5mm width and 3.2mm depth.

### ■ Specification

- Pitch : 0.35mm
- Mating Height : 0.5mm
- Width : 1.5mm (Socket)
- Number of Pins : 5 (Power:2Pin, Signal:3Pin)
- Rating : 20V AC/DC, 3.0A/pin (Power) , 0.3A/pin (Signal)
- Contact Resistance : 10mΩ max. (Power Pin), 30mΩ max. (Signal Pin)
- Insulation Resistance : 1000MΩ min. at 100V DC
- Withstanding Voltage : 100V AC (for one minute)
- Operating Temperature Range : -25°C to +85°C



**Socket:CPBE305-0101F**



**Plug:CPBE405-0101F**

