

# Earth Terminals

## Earth Terminals : ET-M Series

### ■ Features

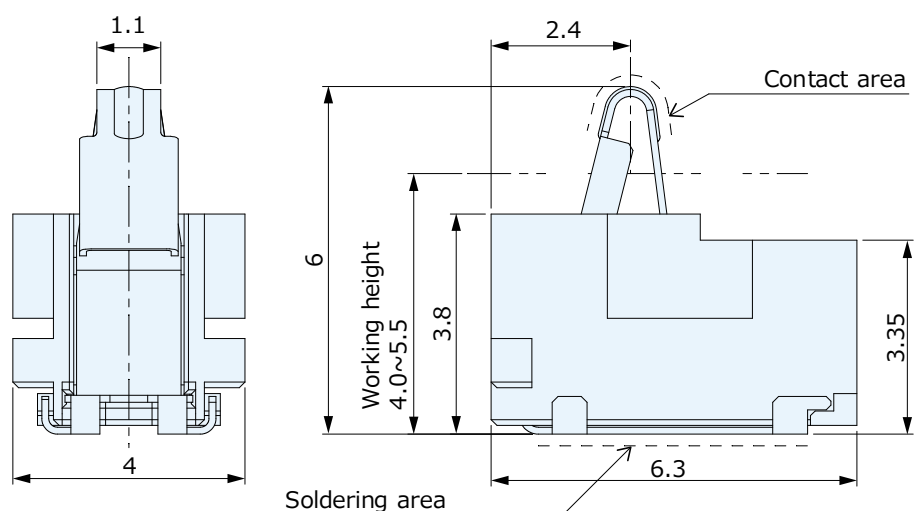
1. Increases design flexibility by having wide working range.
2. Lowers risk of solder crack due to original structure which stress of the spring does not reach the soldered part directly.
3. Housing prevents contact deformation during assembly and maintains robustness.

### ■ Specification List

Parts No.	Height	Working Height	Contact Pressure	Rating
CPB5501-2900F	6.0mm	4.0 to 5.5mm	0.2 to 1.3N	10V AC/DC, 3A
CPB5501-3000F	5.0mm	3.2 to 4.5mm	0.2 to 1.1N	10V AC/DC, 3A



**CPB5501-2900F**



**CPB5501-3000F**

