

Detector Switches

Detector Switches : DSI-II Series

■ Features

1. Input from 2 directions, either vertical or horizontal to the switch, possible.
2. Only 3.9(W) x 3.3(D) x 1.0(H) mm, the smallest in the industry class.
3. Operation force as small as 0.35N.
4. 90-degree operation angle due to the employment of a lever shaft.
5. Push-on and push-off types are available, with or without a positioning boss.

■ Specifications

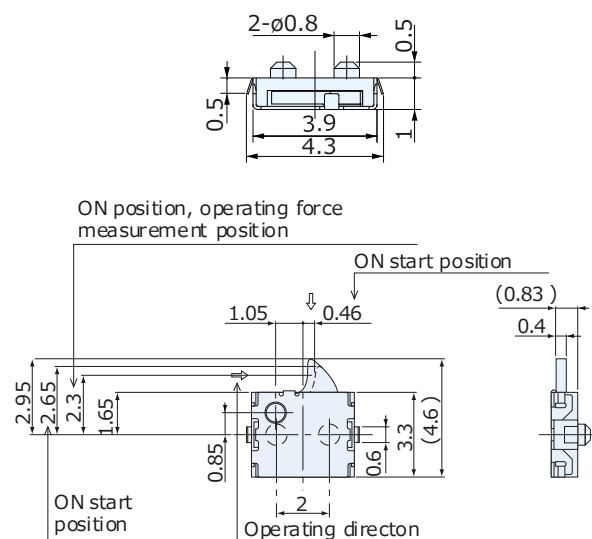
- External Dimension : 3.9 x 3.3 x 1.0mm
- Rating : DC 5V, 10mA
- Circuit : SPST
- Life Cycle : 50,000 cycles
- Operating Force : 0.35N
- Travel : 1.3mm
- Operating System : push-off/push-on
- Packing Quantity : 5,000pcs/Reel

■ Product Lineup

Part No.	Operation	Boss	Lever Direction
JPS1110-6511F	Push-off	With	Left
JPS1110-6711F	Push-off	Without	Left
JPS1110-6811F	Push-on	With	Right
JPS1110-6911F	Push-on	With	Left
JPS1110-7011F	Push-on	Without	Right
JPS1110-7111F	Push-on	Without	Left

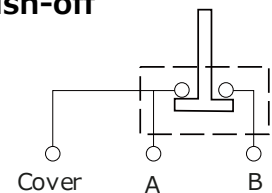


Outline Drawing : Lever Direction: Right

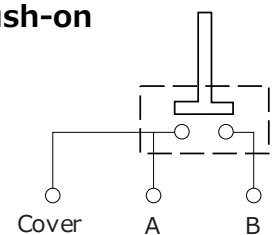


Circuit : SPST

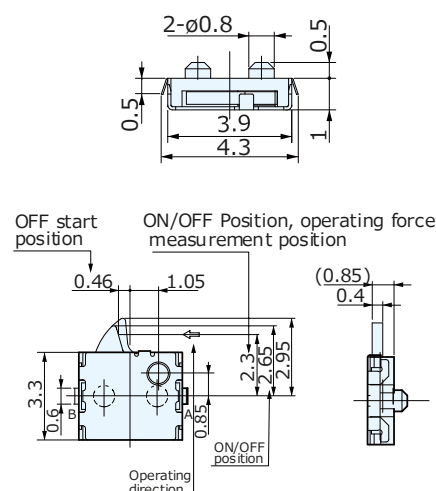
Push-off



Push-on



Outline Drawing: Lever Direction: Left



P. C. Board Dimension

