

# RF Coaxial Connectors

## Coaxial Connectors for Automotive Camera Module (X·Y·Z Floating Type) : CM-X Series

### ■ Features

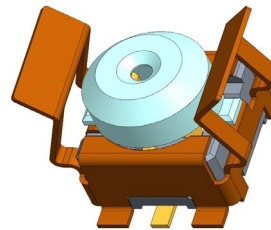
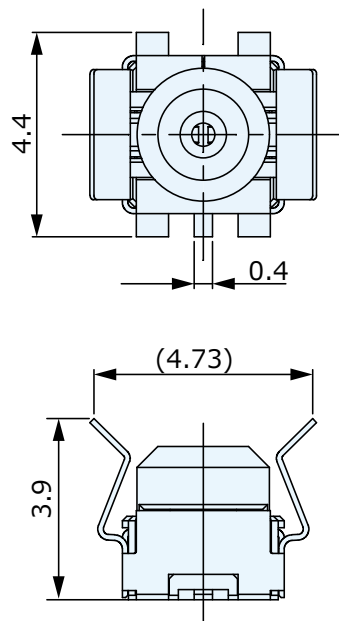
1. This is a connector for high pixel type automotive camera modules.
2. Covers a wide operating frequency range from DC to 4GHz, and achieves excellent high frequency performance.

### ■ Specifications

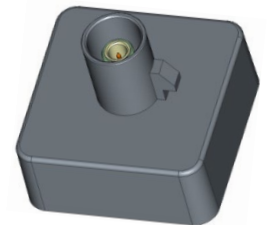
- Floating amount : X = ±0.5mm, Y = ±0.5mm, Z = ±0.5mm
- Frequency Range : DC to 4GHz
- Nominal Impedance : 50Ω
- Operating Temperature Range : -40°C to +105°C



**Receptacle : CKV5001-0401F**



Receptacle



Rear Case  
(Customizable)