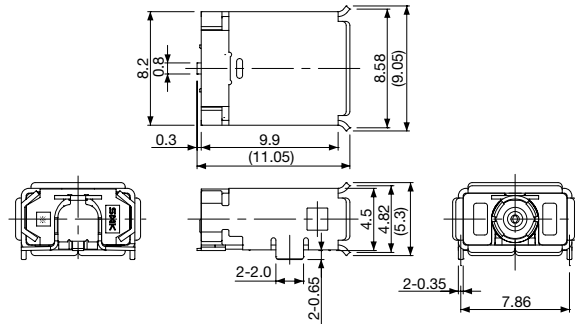


# Rectangular Coaxial Connectors (SMT), TC-25 Series <6GHz>



## ● Receptacle CRS5001-4701F



### ■ Features

1. Rectangular coaxial connector of SMT design.
2. The operating frequency ranges extensively from DC to 6GHz with good RF performance.
3. Low profile and small of 4.5mm mounting height and 9mm width, 11mm length.
4. A metal locking system structure is used for receptacle and plug mating, ensuring high mating retention.
5. It features a low insertion force of 20N or less, improving usability.
6. Embossed tapping for automatic mounter.

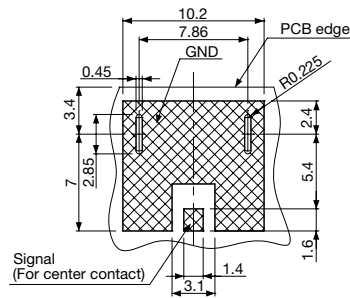
### ■ Specification

1. Rating : 250V AC
2. Frequency Range : DC to 6GHz
3. Nominal Impedance : 50Ω
4. V. S. W. R. : 1.5 max. (DC to 6GHz)
5. Operating Temperature Range : -40°C to +105°C
6. Applicable Cable(O.D.) : 1.5D (ø3.0mm)
7. Cable Retention Force : 100N min.
8. Mating Life : 100 cycles

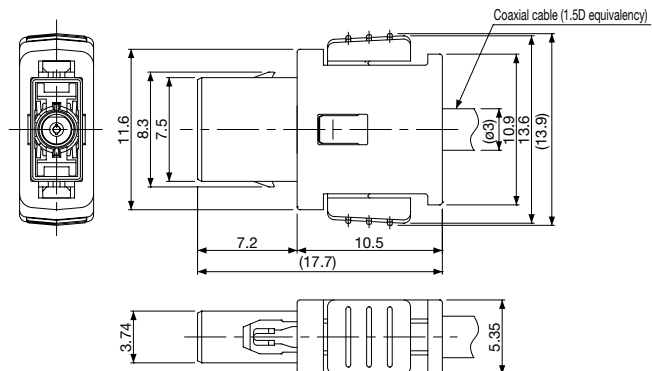
### ■ Material and Plating

- Housing : Thermoplastic Resin
- Contact : Cu Alloy, Au Plating

### ■ P.C. Board Dimension



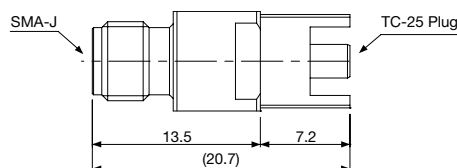
## ● Plug CRC9001-7701F



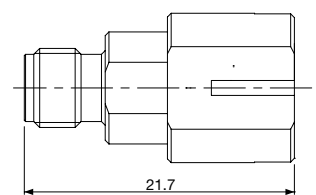
### ● Converting Adapters

CRS1001-2601F

CRC1001-5301F



For measurement of receptacle



For measurement of plug