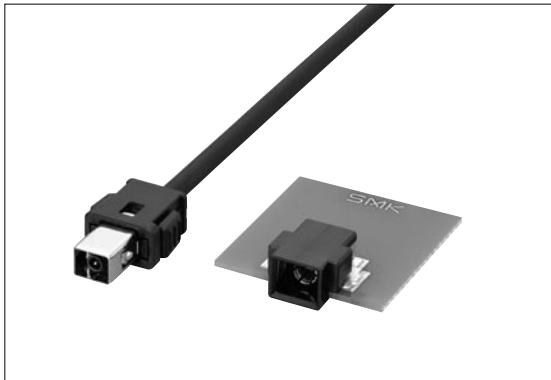


Rectangular Coaxial Connectors, TC-15 Series <6GHz>



Features

1. Coaxial connector of mid mount type.
2. The operating frequency ranges extensively from DC to 6GHz with good RF performance.
3. Low profile and small of 4.5mm mounting height and 12mm width, 11mm length.
4. Embossed tapping for automatic mounter.

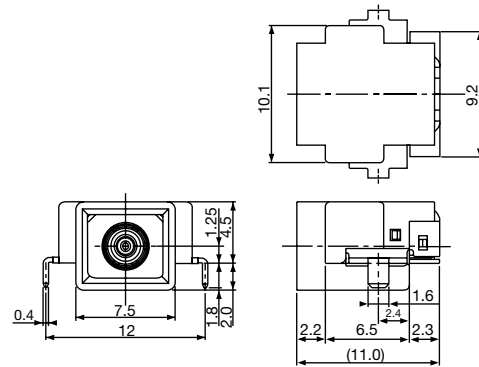
Material and Plating

- Housing : Thermoplastic Resin
- Contact : Cu Alloy, Au Plating

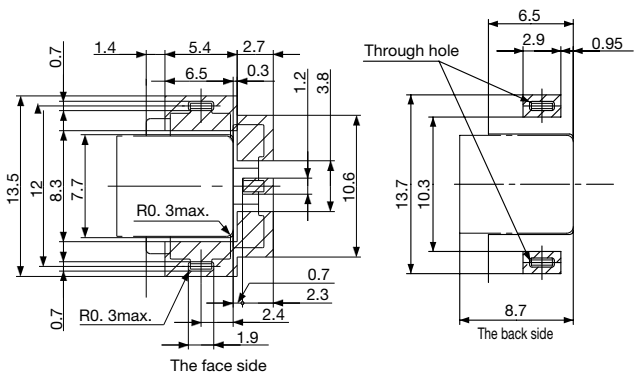
Specification

Receptacle	CRS5001-3202F	CRS5001-3231F
Plug	CRC9001-4402F	CRC9001-5902F
Rating	AC250V r.m.s.	AC250V r.m.s.
Frequency Range	DC~6.0GHz	DC~800MHz
V.S.W.R.	1.5max.	1.5max.
Nominal Impedance	50Ω	75Ω
Operating Temperature Range	-40°C~+105°C	-40°C~+105°C
Applicable cable (O.D.)	1.5D (ø3.0mm)	1.5C (ø3.0mm)
Cord retention force	100N min.	88.3N min.
Opelating life	100 cycle	100 cycle

● Receptacle CRS5001-32□□F

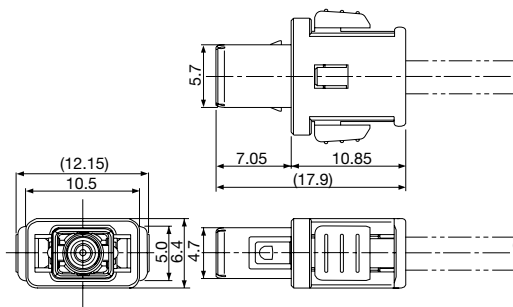


■ P.C. Board Dimension



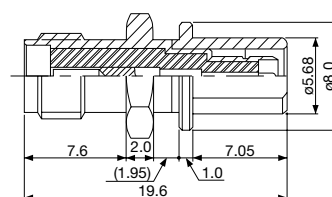
■ Note 600pcs/reel

● Plug CRC9001-□□02F



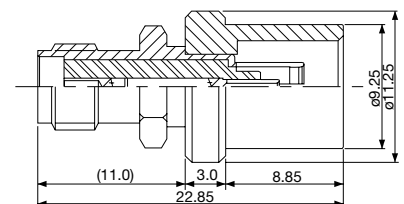
● Converting Adapters

CRS1001-1901F



For measurement of CRS5001-3202F

CRS1001-3501F



For measurement of CRC9001-4402F