

Multi-Functional Devices

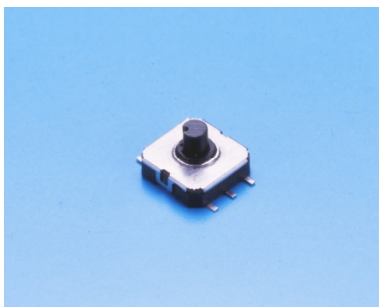
JXSIV Series :Small Multi-Way Switches

■ Features

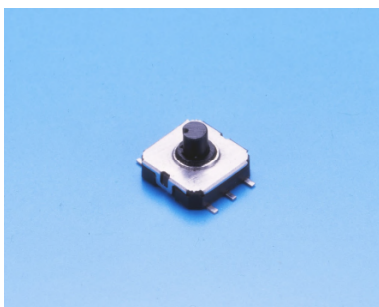
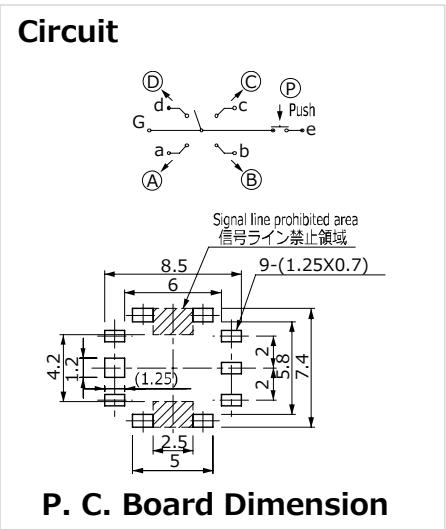
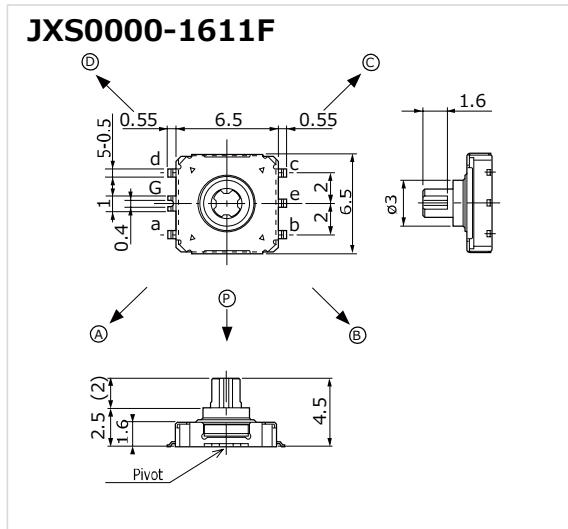
1. A multi-functional switch capable of function selection in 4 directions and entry of the selected function.
2. The smallest design (less than 30% of our previous equivalent product).
3. With a center push function.
4. Sharp index feedback is ensured by the metal contact structure employed.

■ Specification

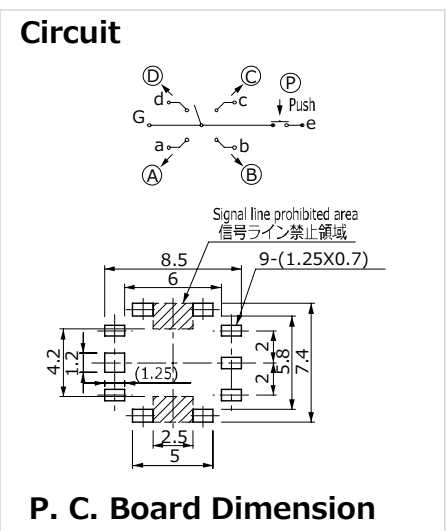
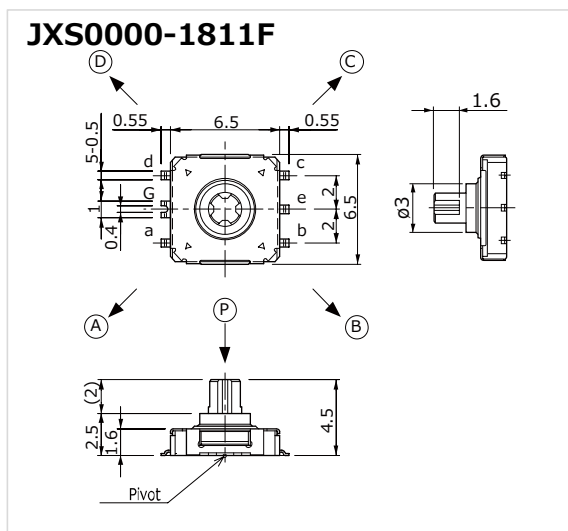
- External Dimension :6.5 X 6.5 X 4.5mm
- Rating :10mA 12V DC, 10mA 5V DC
- Circuit :Tilt: SP4T, Push: SPST
- Operating Life :100,000 cycles
- Operating Force :Tilt: 2.5N/1.2N, Push: 3.5N/2.2N
- Travel :Tilt: 4+3/-2°, Push: 0.15+0.2/-0.1mm



With Earth Terminal
1,500 pcs/reel



With Earth Terminal
1,500 pcs/reel



Multi-Functional Devices

JXSIV Series :Small Multi-Way Switches

Part No.		JXS0000-1611F	JXS0000-1811F
Rating		10mA, 12V DC	10mA, 5V DC
Contact Resistance		500mΩ max.	
Insulation Resistance		100MΩ min.	
Insulation Resistance		100V AC (for one minute)	
Circuit	Tilt Direction	SP4T	
	Push Direction	SPST	
Operating Force	Tilt Direction	2.5 ± 1.5N	1.2 $^{+0.8}_{-0.6}$ N
	Push Direction	3.5 ± 2.0N	2.2 ± 1.2N
Stroke	Tilt Direction	4 $^{+3}_{-2}$ °	
	Push Direction	0.15 $^{+0.2}_{-0.1}$ mm	
Operating Life	Tilt Direction	100,000cycles	
	Push Direction	100,000cycles	
Key Color		Black	White Milk
Operating Temperature Range		-25°C ~ +70°C	

*Delivery will be made on embossed taping.