

Slide Switches

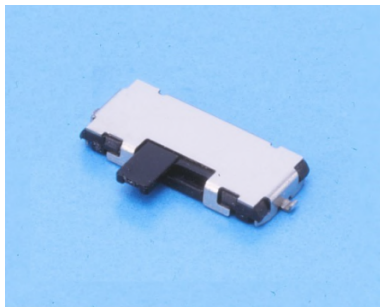
JSD Series :Slide Switches (Thin type)

■ Features

1. Only 0.9mm short for thinner equipment design possibilities.
2. A small 29.33mm² PWB occupancy area for higher-density mounting on PWB.
3. Two directions, vertical or horizontal, are available for the knob.

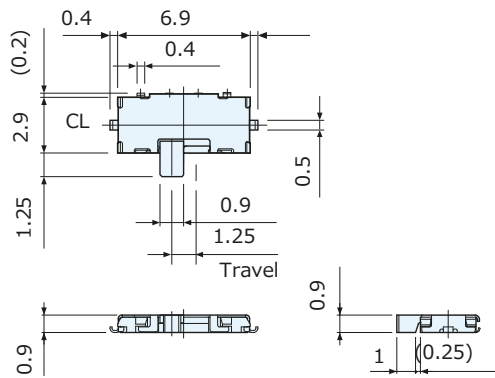
■ Specification

- External Dimension :2.9 x 6.9 x 0.9 mm
- Rating :10mA, 6V DC
- Circuit :SPDT
- Operating Life :10,000 cycles
- Operating Force :1.5N
- Travel :1.25mm

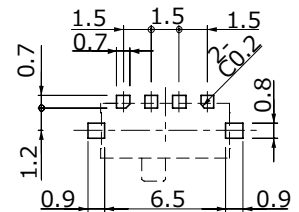


5,000 pcs/reel

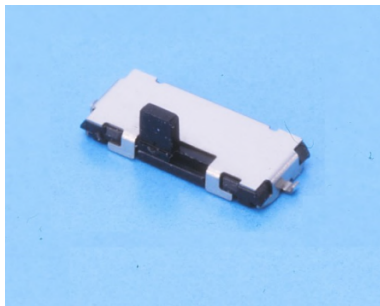
JSD1200-0211F



Circuit : SPDT

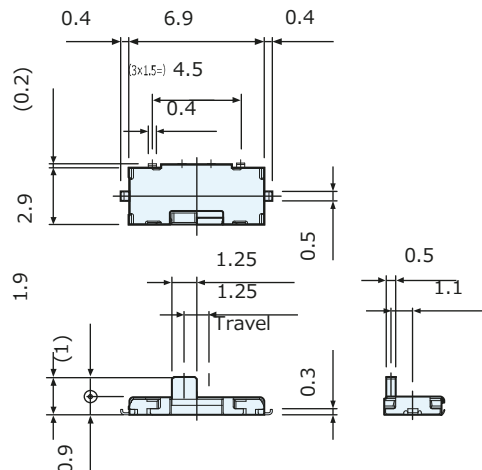


P. C. Board Dimension

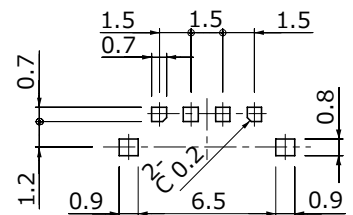


4,500 pcs/reel

JSD1210-0111F



Circuit : SPDT



P. C. Board Dimension