

# Push Switches

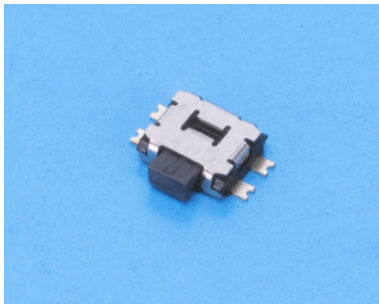
## JPM (THP) Series :Thin Type Horizontal Push Switches

### ■ Features

1. The industry's thinnest class of 1.1 mm is materialized.
2. Two types are available with- (-4911F) or without-a-boss (-5011F).

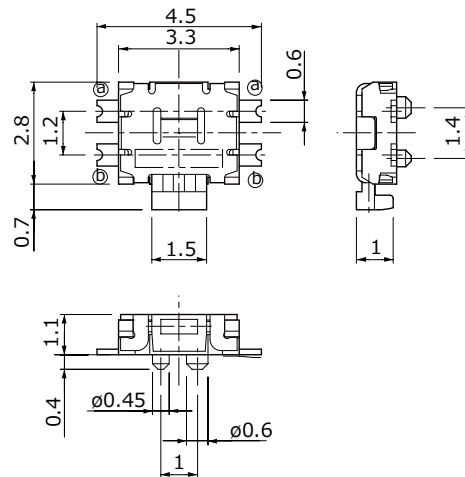
### ■ Specification

- External Dimension :4.5 X 2.8 X 1.1mm
- Rating :50mA, 12V DC
- Circuit :SPST
- Operating Life :100,000 cycles
- Operating Force :1.5N
- Travel :0.2mm

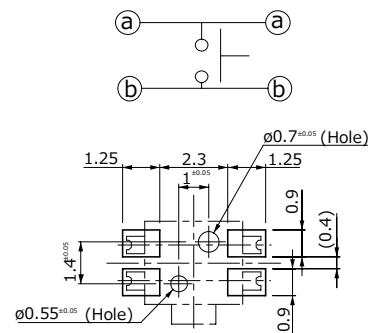


5,000 pcs/reel

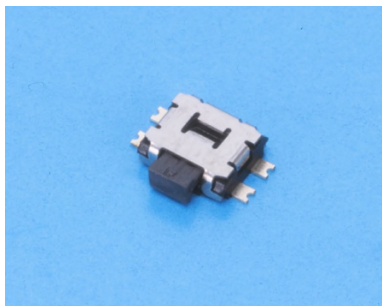
**JPM1990-4911F**



**Circuit : SPST**

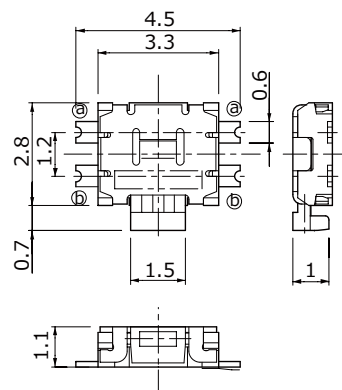


**P. C. Board Dimension**

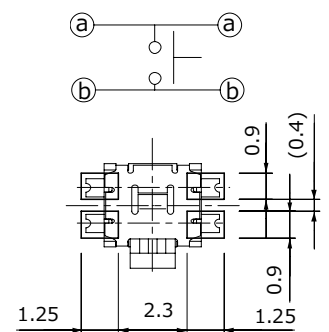


5,000 pcs/reel

**JPM1990-5011F**



**Circuit : SPST**



**P. C. Board Dimension**