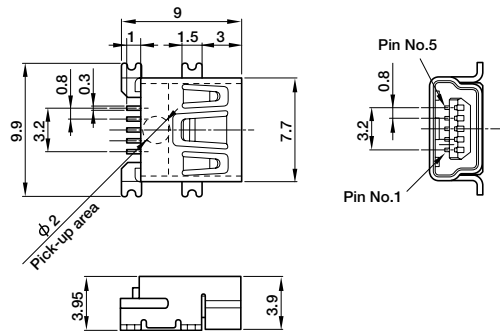


USB Connectors, mini-B Receptacle



● CSS5005-0401F (SMT shell)



■ Features

1. Conforms to the USB 2.0 High-speed.
2. Smaller mounting area helps reduce equipment sizes.
3. Mounting design of the shell to the PCB is available both SMT type and DIP type.

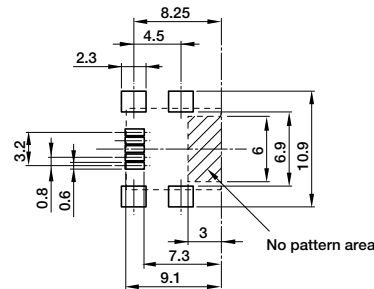
■ Specifications

1. Rating : 1A, 30V AC
2. Contact Resistance : 50mΩ max.
3. Insulation Resistance : 100MΩ min. at 100V DC
4. Withstanding Voltage : 100V AC (for one minute)
5. Operating Temperature Range : -25°C to +80°C

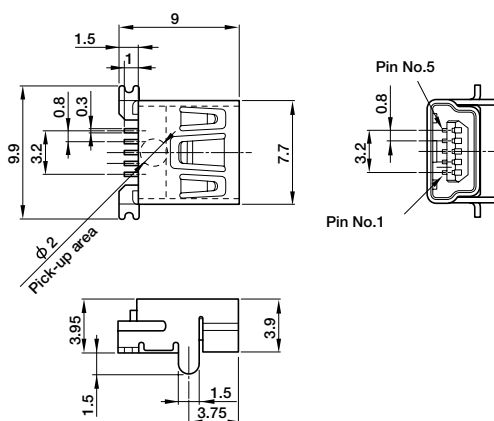
■ Material and Plating

- Housing : Thermoplastic Resin, Black 94V-0
- Contact : Cu Alloy, Au Plating
- Shell : Cu Alloy, Sn-Cu Plating

■ P.C. Board Dimension (t=0.8)



● CSS5005-0402F (DIP shell at the mating end)



■ P.C. Board Dimension

