

# Board (FPC) to Board Connectors

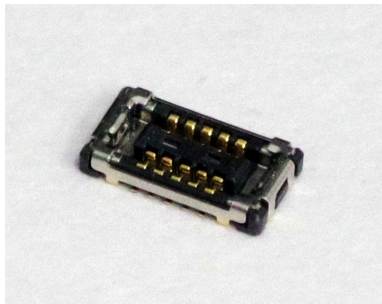
## RB-1 Series :RF Board to Board Connector

### ■ Features

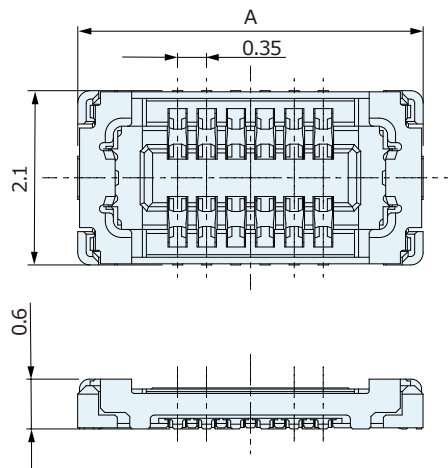
1. Low profile and small sizing design: 0.6mm mating height, 0.6mm width, and 0.35mm pitch.
2. Pin count:10, 12, 14
3. Frequency ranges coverage from DC to 12GHz with good RF performance.
4. Easy mating with high robustness by metal shell on plug and socket.
5. Checking frequency amount available with floating designed coaxial probe.

### ■ Specification

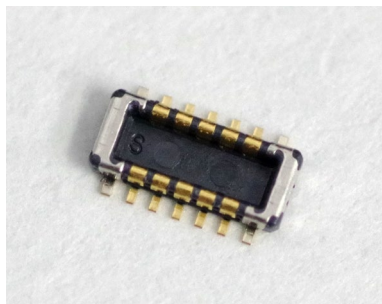
- Pitch :0.35mm
- Mating Height :0.6mm
- Width :2.1mm (Socket)
- Number of Pins :10,12,14
- Rating :AC/DC 20V, 0.5A
- Contact Resistance :30mΩ max.
- Insulation Resistance :100MΩ min. at 100V DC
- Withstanding Voltage :100V AC (for one minute)
- Operating Temperature Range: - 55°C to +85°C



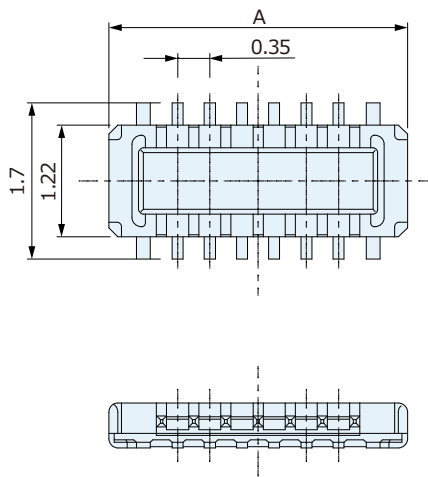
**Socket : CPBE7□□-0101F**



□□ No. of Pins	A
10	3.80
12	4.15
14	4.50



**Plug CPBE8□□-0101F**



□□ No. of Pins	A
10	2.90
12	3.25
14	3.60