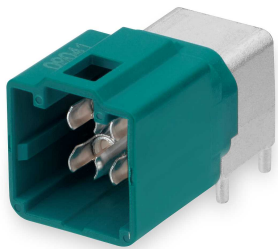


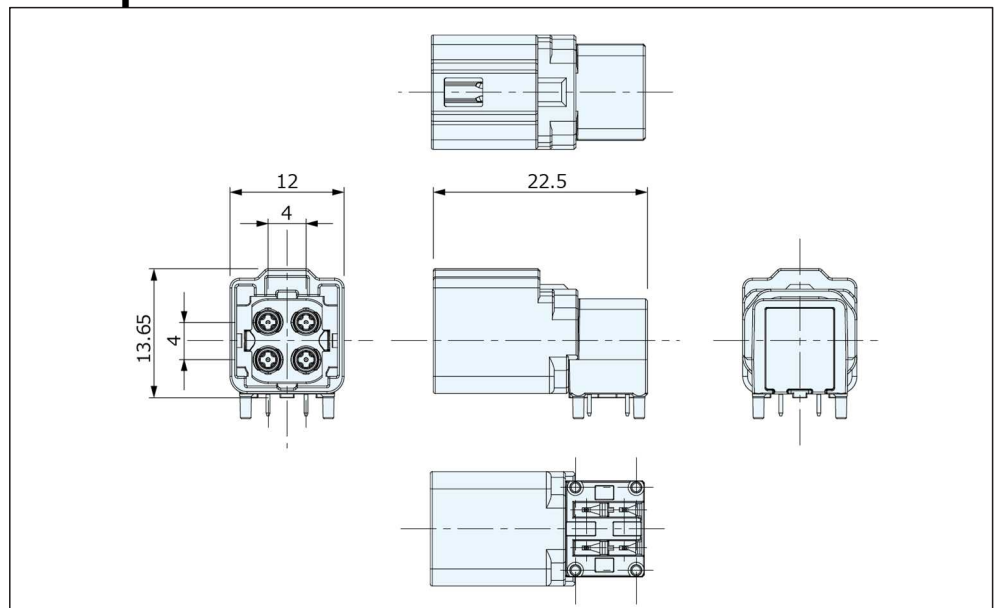
RF Coaxial Connectors

Multi-Coaxial Connector(4Pin Type) MH-1 Series(6GHz)

- Applications: Camera and Antenna Connections for Automobiles
- Saves up PCB space up to 70% compared to SMK's 4x FAKRA
- No.of Pins:4
- Rating: 1A,60V
- Frequency Range: DC to 6GHz
- Nominal Impedance: 50Ω
- Operating Temperature Range: -40°C to +105°C
- Applicable Cable(O.D.): 1.5D(Φ3.0mm)
- : Part No. is changed by key codes and color codes.
Please contact us for more information.



Receptacle CRC5004-85□□F



Cable Jack CRS9004-50□□F

