

Push Switches

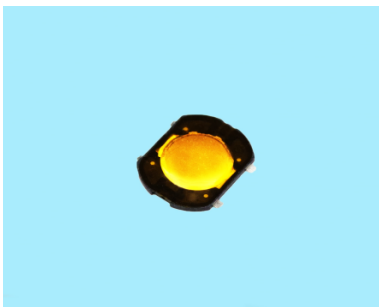
JPM (TPL) Series :Top Push switches (Long stroke)

■ Features

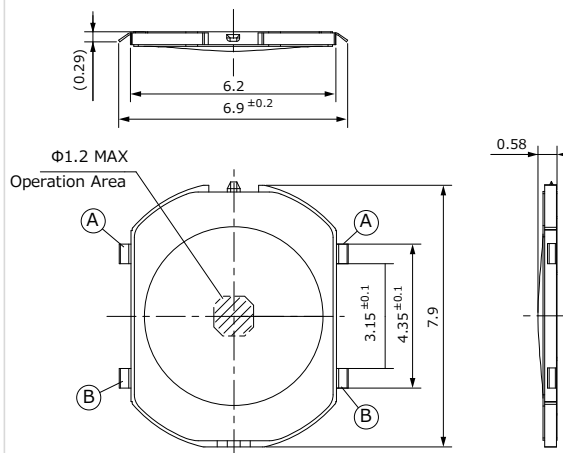
1. Vertical push type and surface mount product.
2. Low profile and sharp click feeling.
3. Lineup of high-durability products of 1 million times and high-load products of 5N.

■ Specification

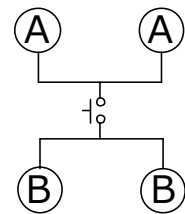
Part No.	JPM1990-9611F	JPM1991-0011F
External Dimension	7.9×6.2×0.58mm	7.9×6.2×0.64mm
Rating	50mA, 12V DC	
Circuit	SPST	
Operating Life	1,000,000 cycles	200,000 cycles
Operating Force	2.5N	5.0N
Travel	0.27mm	0.28mm



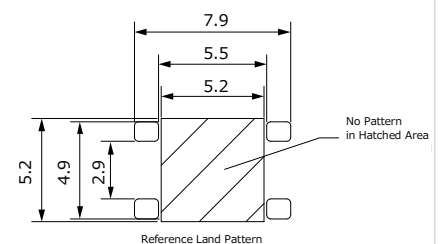
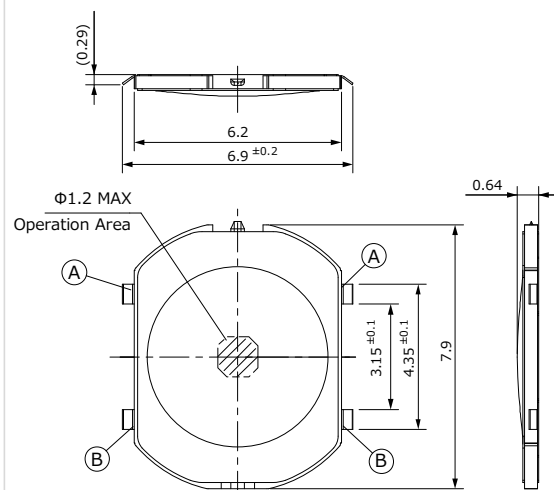
JPM1990-9611F



Circuit : SPST



JPM1991-0011F



P. C. Board Dimension