

# Push Switches

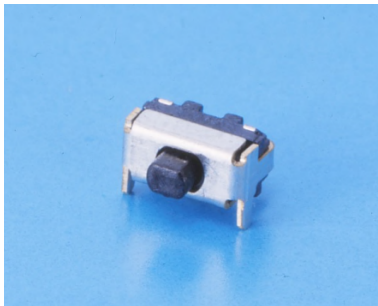
## JPM (SHP) Series :Small Horizontal Push Switches-II

### ■ Features

1. The PCB occupancy area is industry's smallest at 13.8mm<sup>2</sup>.
2. An operating life of 200,000 cycles of the industry's most durable level is materialized.
3. Two types are available with- or without-a-boss.

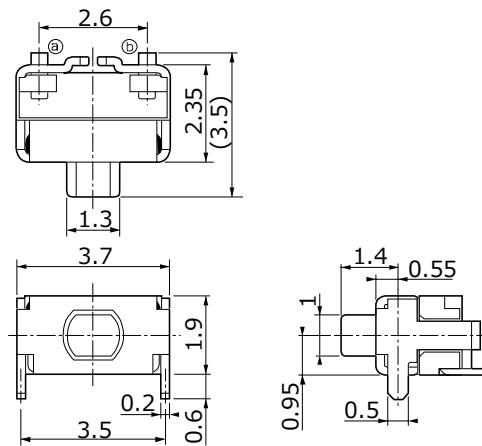
### ■ Specification

- External Dimension :3.7 X 2.35 X 1.9 mm
- Rating :20mA, 12V DC
- Circuit :SPST
- Operating Life :200,000 cycles
- Operating Force :1.8N
- Travel :0.15mm

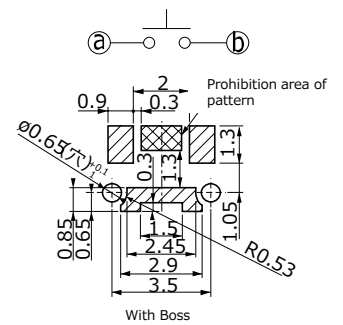


2,000 pcs/reel

### JPM1990-4112F



### Circuit : SPST

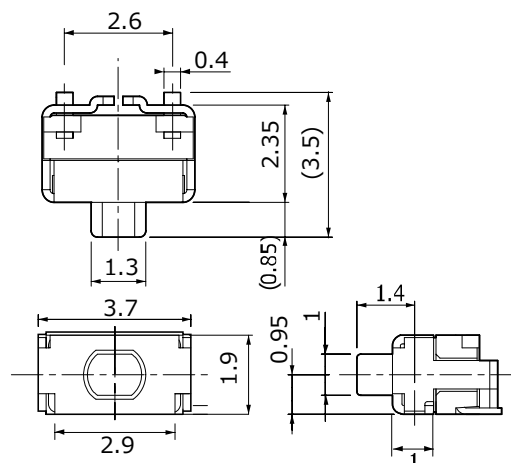


### P.C. Board Dimension

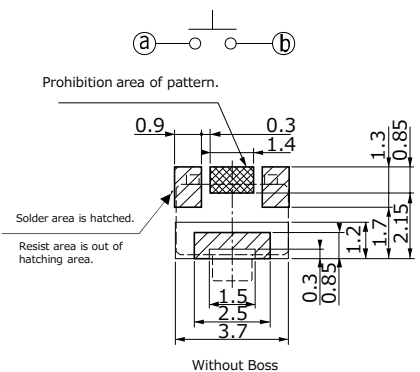


2,000 pcs/reel

### JPM1990-5211F



### Circuit : SPST



### P.C. Board Dimension