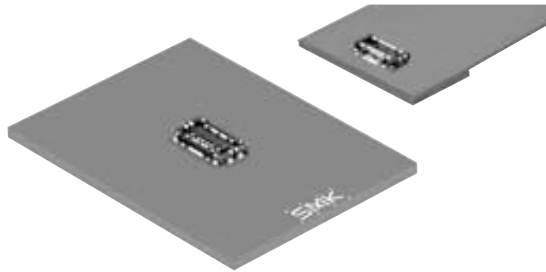


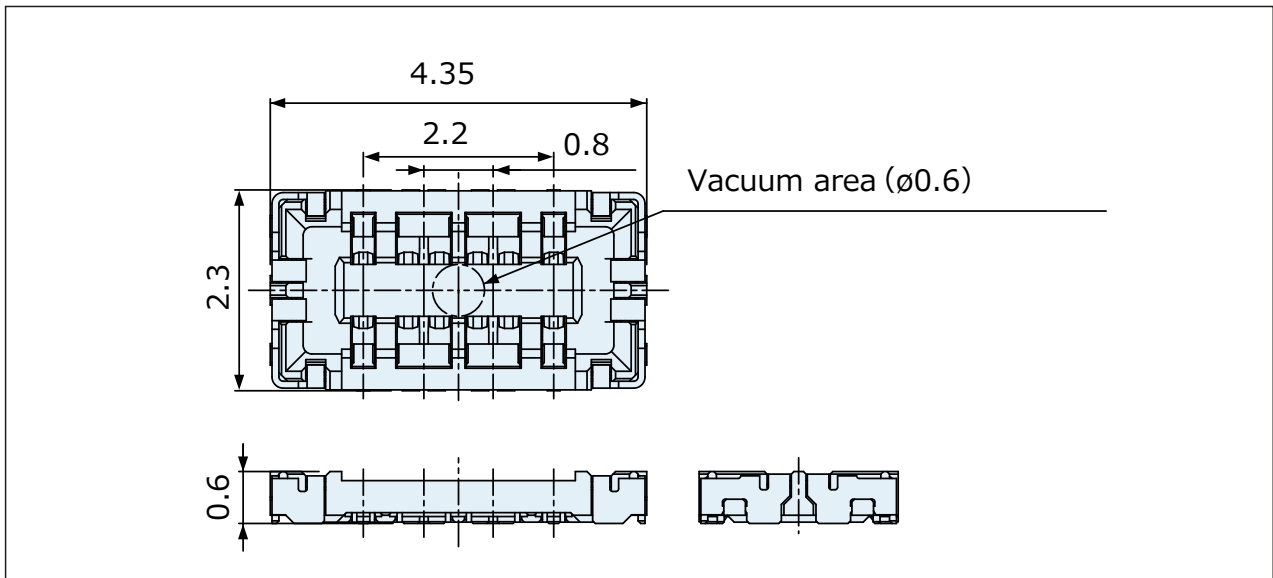
FPC to Board Connectors

FB-8 Series



- High current rating 8A
- Low profile type

Socket CPBA206-0101F



Plug CPBA306-0101F

