

Detector Switches

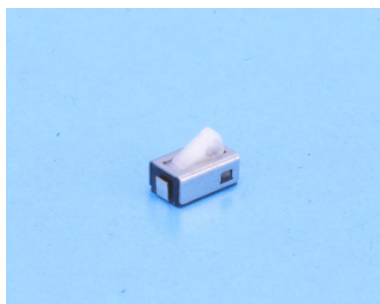
DSJ Series :Detector Switches

■ Features

1. Ease in switching during rotation while folding/unfolding due to the use of a lever-shaped shaft.
2. Only 2.2 (W) x 3.4 (D) x 1.5mm (H), the smallest in the industry.
3. As light as 0.3N force sufficient to operate this small detector switch.
4. Both of push-on and push-off types available.

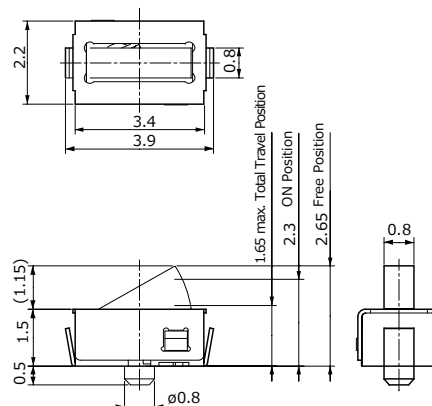
■ Specification

- External Dimension :3.4 X 2.2 X 1.5mm
- Rating :10mA, 5V DC
- Circuit :SPST
- Operating Life :100,000cycles
- Operating Force :0.3N
- Travel :1.0mm
- Operating System :Non lock push-off (JPS1110-6211F/6311F), push on (JPS1110-4311F/6111F)

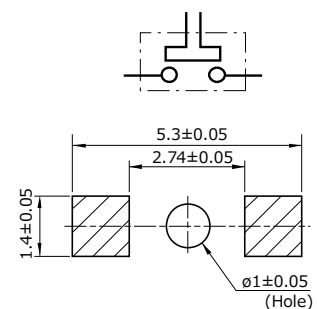


2,000 pcs/reel

JPS1110-4311F/6211F Boss :with



Circuit : SPST

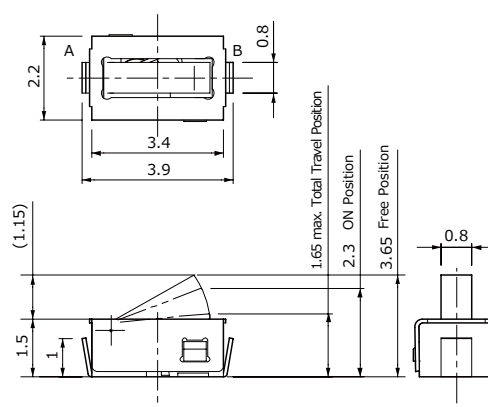


P. C. Board Dimension

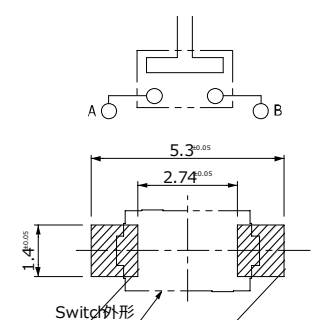


2,000 pcs/reel

JPS1110-6111F/6311F Boss :without



Circuit : SPST



P. C. Board Dimension