

# Board to Wire Connectors

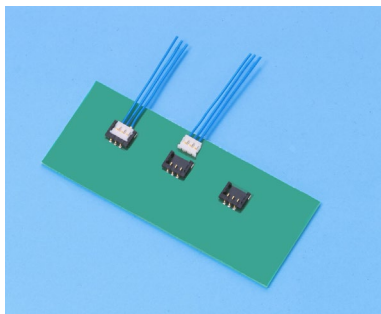
## CPL-1.2 Series :1.2mm Pitch Wire to Board Crimping Connector

### ■ Features

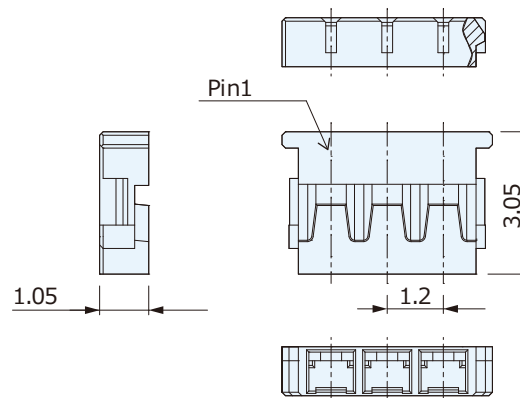
1. A low profile design wire to board crimping connector with 1.2mm mating height, contribute to downsizing equipment.
2. A top entry mating structure where the wire emerges horizontally.
3. Structure of holding both sides of the plug contact, the stable contact performance against vibrations, tilting uses and fretting is ensured.
4. Easy but ensured terminal insertion is due to a housing lance structure.

### ■ Specification

- Pitch :1.2mm
- Number of Pins :2, 3, 6
- Rating :AC/DC 30V 2A (AWG 28 wire is used)
- Method for Connection :Crimp
- Applicable Electrical Wire :AWG28 to 30
- Connection Form :2piece
- Contact Resistance :20m Ω max., initially,
- Insulation Resistance :1000MΩ min.at 500V DC
- Withstanding Voltage :500V AC (for one minute)
- Operating Temperature Range: - 25°C to + 85°C
- Part No. of terminal:CTA1128-03XXF



**Receptacle (Harness side):CPL610□-01XXF**



**Plug (Board side):CPL650□-XXXXF**

